

1st Mode Damper - For use with 6" Round Poles

#101892

Supplied Materials:

- Damper Assembly (101892)
- (2) Worm Screw Band

Assembly Instructions

1. Place and hold the damper box against the pole with the pole being in the radius of the damper box. (See included drawing for details). Note: For effective use of the vibration damper, please place the damper towards the top of the pole.
2. While holding the damper box in place, feed the supplied clamps through the slots in the damper box and around the pole.
3. Continue holding the damper box in place while the clamps are tightened, snugging the box against the pole. Tighten the clamps to 28-30in-lbs.
4. Release hold of the damper box and double check the clamps to ensure that they have been sufficiently tightened.

CAUTION:

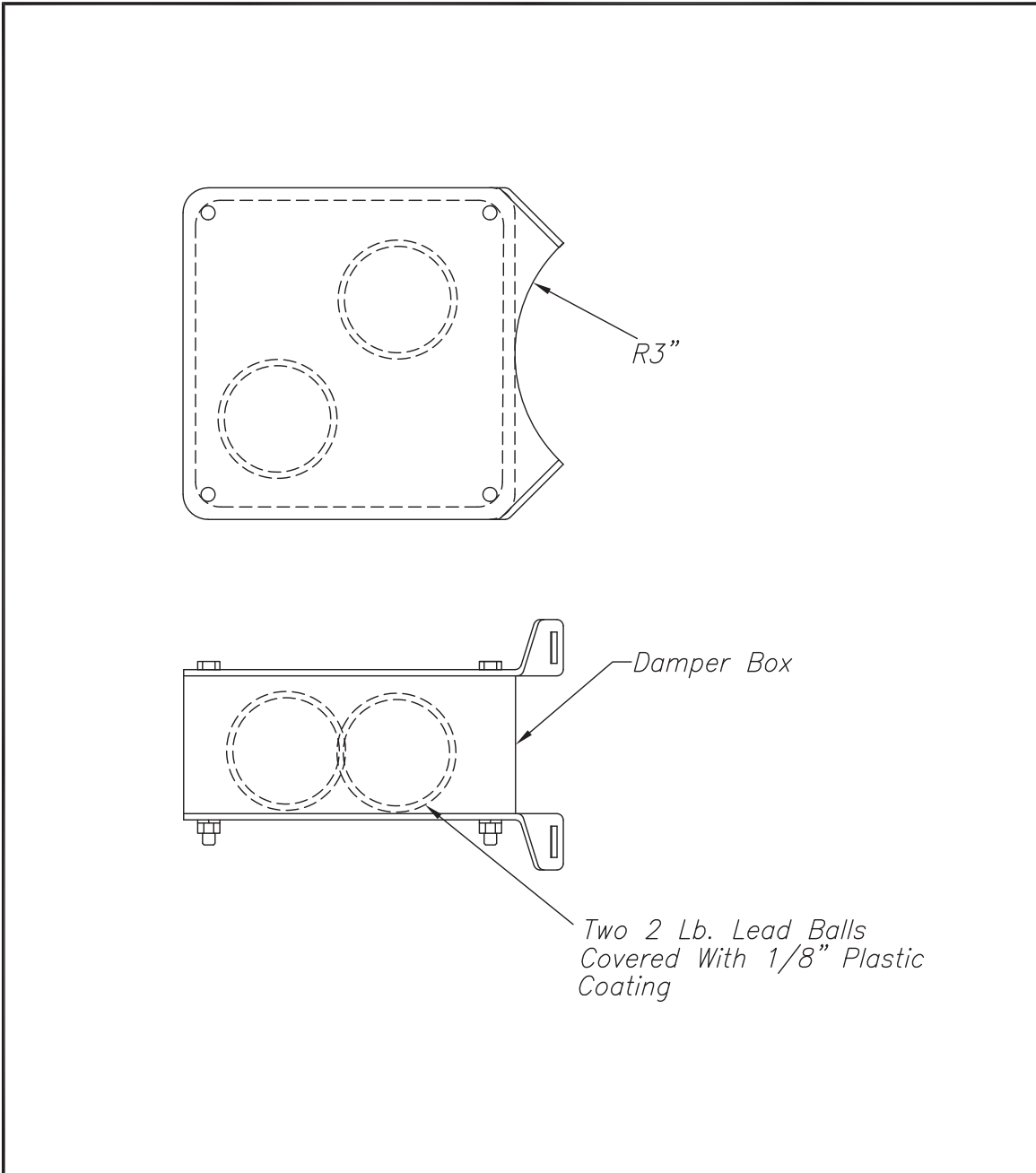
Inside of the damper box there are two damper balls. The damper balls consist of lead with a protective coating. It is the buyer's responsibility to dispose of them in accordance with applicable environmental laws and regulations.

CAUTION:

If the clamps are improperly installed the damper may detach from the pole and fall, potentially causing serious injury or death.

Installation Instructions - 1st Mode Damper for use with 6" Round Poles page 2 of 2

1st Mode Damper - For use with 6" Round Poles
#101892



NO.	REVISIONS	DATE	 Abingdon, Va.	TITLE DAMPER ASSEMBLY 6" RD	
				CUSTOMER	
				SCALE	DATE 03/04/2019
				BY JWD	DWG. NO.
				CHK'D	101892