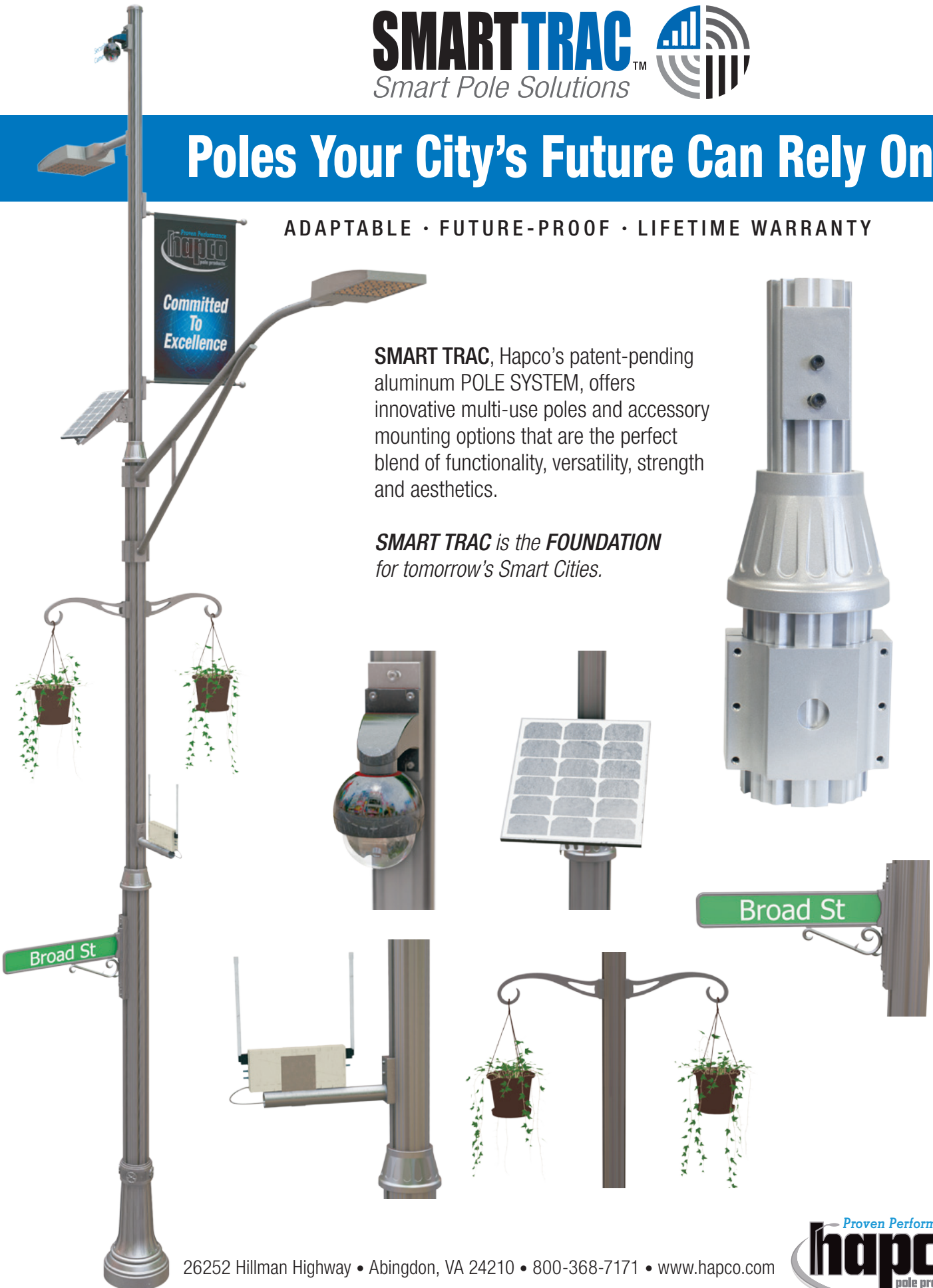


Poles Your City's Future Can Rely On

ADAPTABLE • FUTURE-PROOF • LIFETIME WARRANTY

SMART TRAC, Hapco's patent-pending aluminum POLE SYSTEM, offers innovative multi-use poles and accessory mounting options that are the perfect blend of functionality, versatility, strength and aesthetics.

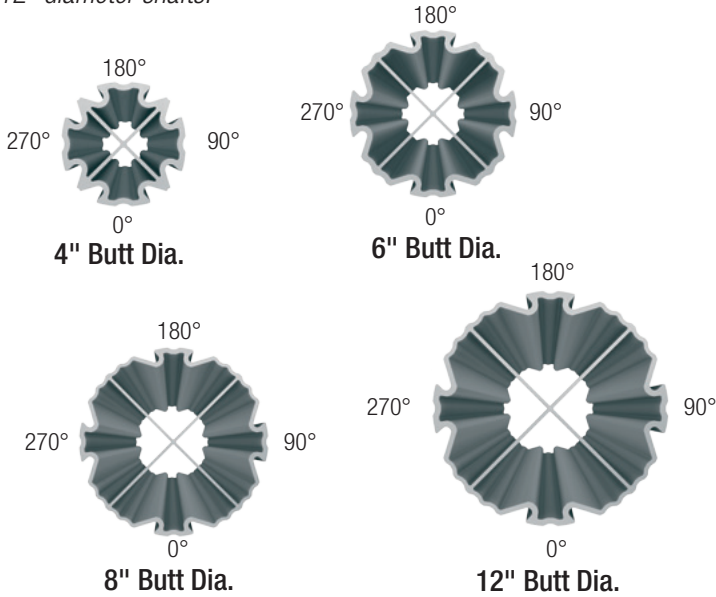
***SMART TRAC** is the **FOUNDATION** for tomorrow's Smart Cities.*



Four Shaft Sizes

SMART TRAC shafts are offered in 4", 6", 8" and 12" Butt Diameters. Each shaft is designed with four "TRAC" systems at 0°, 90°, 180°, and 270°. "TRAC" profiles are identical on all sizes, allowing accessory attaching hardware to work with all SMART TRAC designs.

Note: Heavy-Duty Arm Mounting Brackets are specific to 6", 8" and 12" diameter shafts.

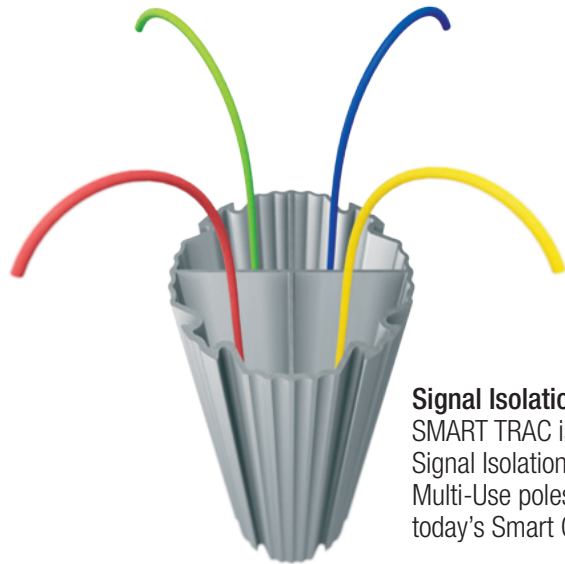
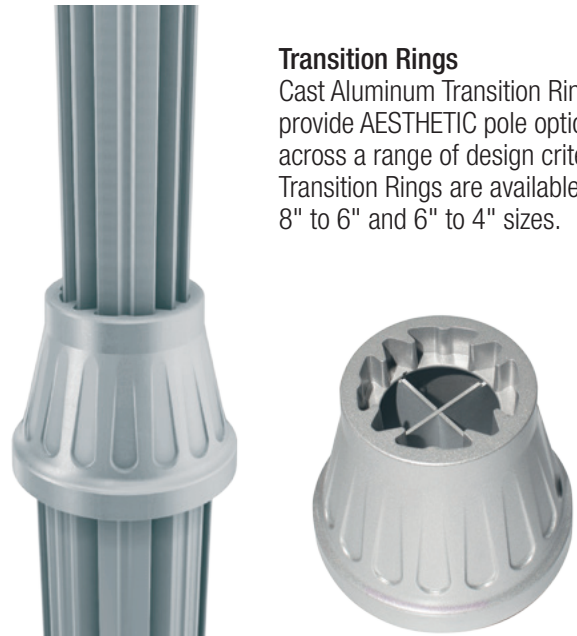


Quad-Chamber Design

Each SMART TRAC shaft is designed with four separate chambers which provide secure access to multiple individual providers. Separation is continuous throughout the pole, including through the base and transitions.

Transition Rings

Cast Aluminum Transition Rings provide AESTHETIC pole options across a range of design criteria. Transition Rings are available in both 8" to 6" and 6" to 4" sizes.



Signal Isolation Solution
SMART TRAC is the PERFECT Signal Isolation Solution for Multi-Use poles utilized by today's Smart Cities.

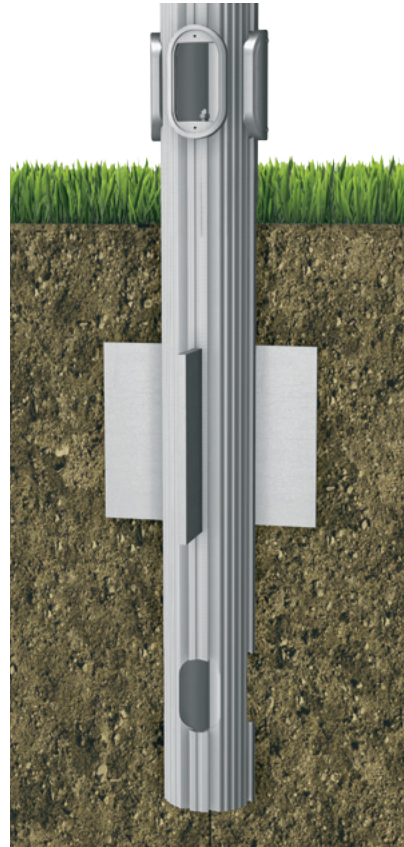


Handholes

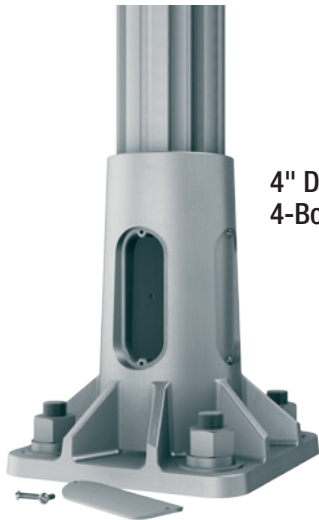
Handholes for each SMART TRAC chamber can be provided in all four shaft sizes.



Multiple Design Configurations
SMART TRAC offers cities a broad range of design possibilities. Choices include 4", 6", 8" and diameter STRAIGHT designs, along with 6" transitioning to 4", 8" transitioning to 6", and 8" to 6" to 4".



Direct Buried Options
Direct Buried (*Embed*) SMART TRAC options are available in all sizes and mounting heights, allowing for faster, more cost-efficient installations.

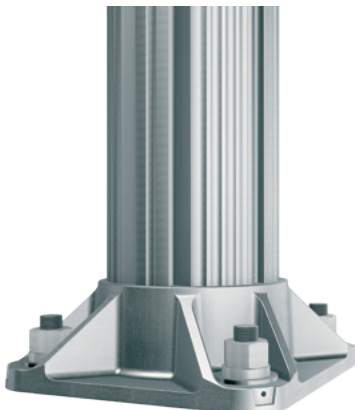


**4" Diameter
4-Bolt Base**

4-Bolt Base Mounting Options
Bases for all SMART TRAC sizes are designed for standard 4-Bolt installations. The base for 4" Diameter poles incorporates four handholes and include chamber separation. Bases for 6" and 8" diameters house the chambered shaft and are double circumferentially welded at the top and bottom of the base. Bolt Covers and Base Covers are available.



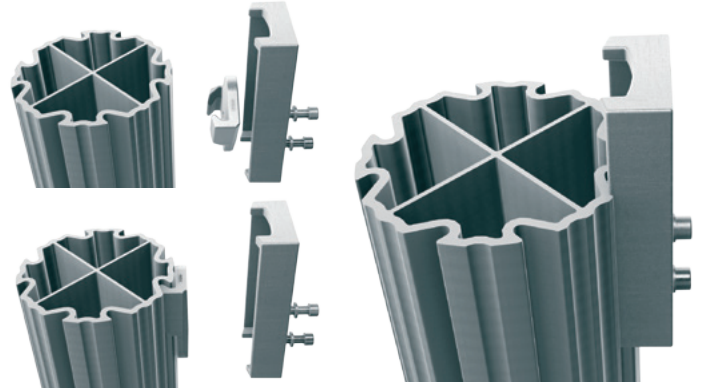
Decorative Base Options
Hapco offers an extensive collection of 2-Piece Decorative Bases for use with all SMART TRAC pole designs.



**6" or 8" Diameter
4-Bolt Base**

Locking Cam

The Patent-Pending design of SMART TRAC allows the use of a Locking Cam for the mounting of a variety of pole accessories. When tightened against the pole, the grooves of the Locking Cam twist, pull, and tighten against the tracs of the pole. Strong, secure, and simple installations that can be moved, modified, or removed and replaced without the unsightly bands and drill holes associated with standard pole accessory installations.



Locking Cam with Cover Box



Two sizes of Cover Boxes provide a range of installation options for both wired and unwired accessories.

For a three (3) minute 3D animated video showcasing all components of the SMART TRAC SYSTEM visit link below.



<http://www.hapco.com/aluminum-poles/smart-trac-aluminum-poles>

For additional information, contact any member of the Hapco Sales team.



Step One

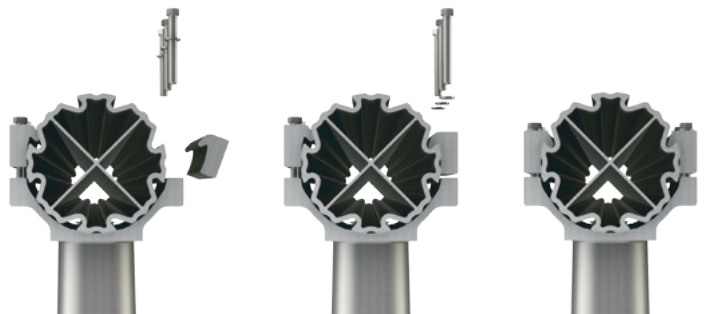
Step Two



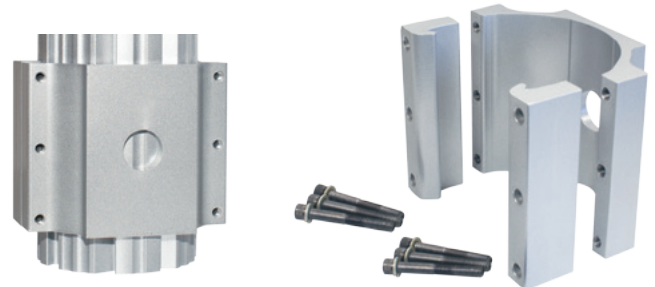
Complete

Locking Cam with Extruded Strip Covers

Larger footprint, vertical, or heavier accessories can utilize a multiple Locking Cam and Extruded Strip Cover design.



Heavy-Duty Arm Mounting Bracket



SMART TRAC's Heavy-Duty Bracket is designed for use with the most common arm designs and can be used in combinations for Truss Arms and Custom Designs. NO DRILLING of the pole is required, allowing jobsite placement and future movement.